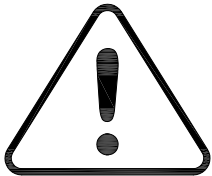


# Mounting Instruction : IP56 Proof Box



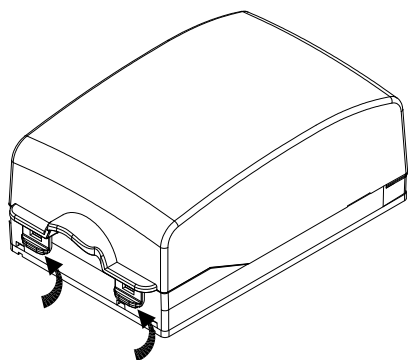
## WARNING

Before installation, please read these Installation Instructions carefully.

1. To prevent the risk of electrocution, turn off the mains electricity supply before commencing work.
2. The device must be installed and connected by skilled electricians. otherwise it may cause short circuit or even fire.

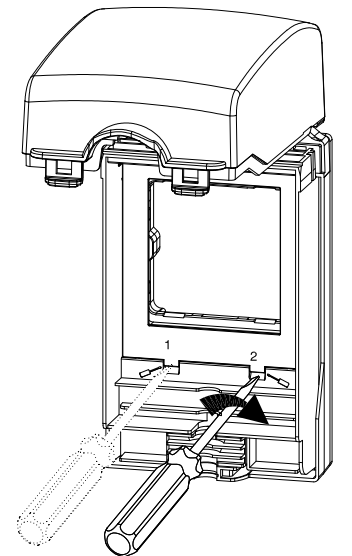
STEP 1 Open the outer cover according to the arrow.

1



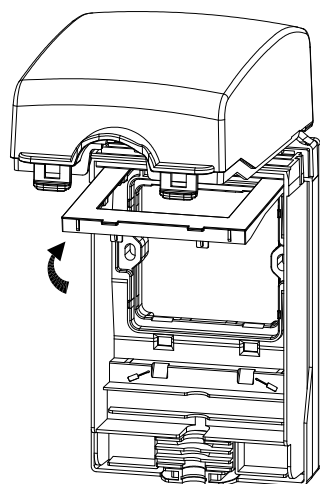
STEP 2 Use a screwdriver to open the inner cover.

2



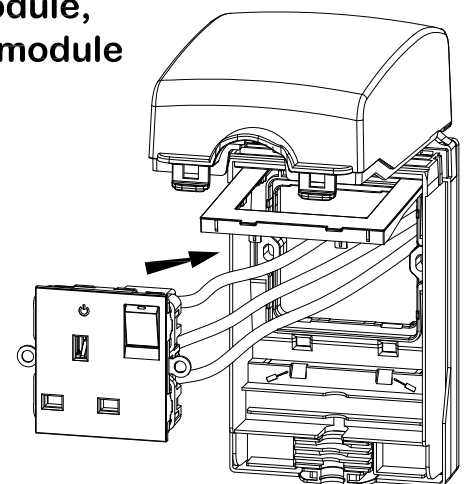
STEP 3 Follow the arrow to open the inner cover.

3



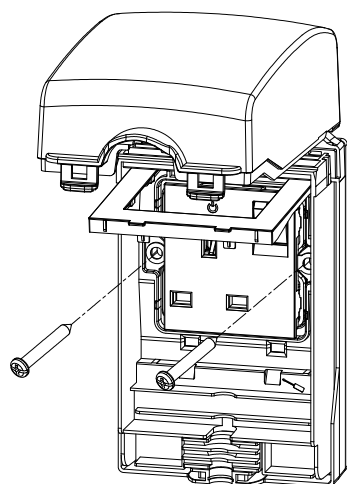
STEP 4 Connect the wires to the switch or socket module, and then install the module on the box

4



STEP 5 Install the assembly to the mounting box on the wall by screws.

5



STEP 6 Follow the arrows to close the inner cover and outer cover to complete the installation.

6

